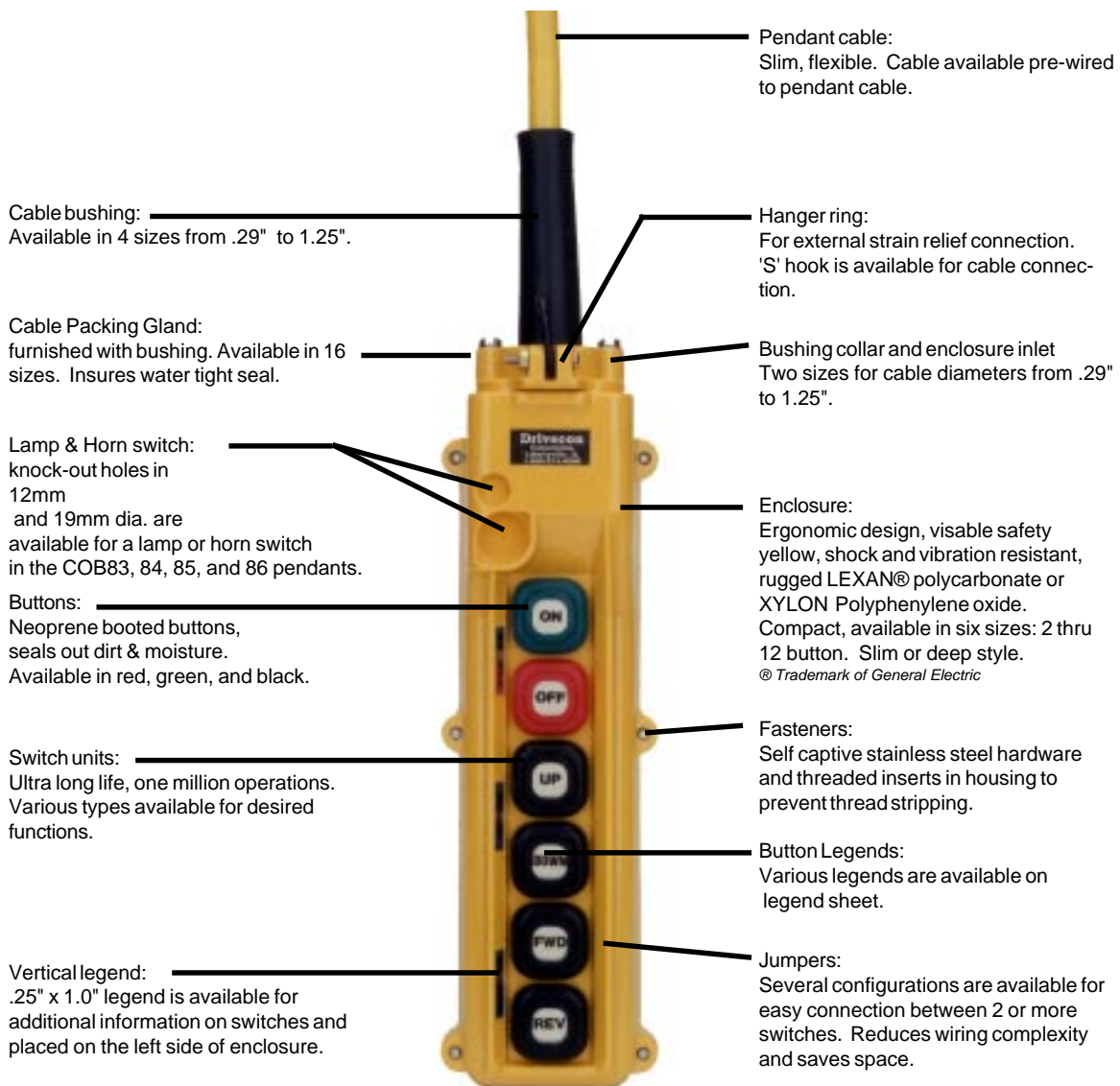


HOIST PUSHBUTTON SWITCHES

COB80 SERIES

- Wide variety for easy customization
- Two to twelve buttons
- Single, two speed, and three speed
- UL and CSA approved
- Neoprene booted buttons
- Contacts rated 5A at 120VAC
- Indoor or outdoor use
- Compact safety yellow enclosure
- NEMA 1, 3, 4, 4X, 12 and 13 enclosure ratings
- Ultra long service life
- -15°C to 70°C operation
- 100 g shock resistance
- Double insulated 2500V withstand voltage
- Slim or extra deep style housings



820 Lakeside Drive - Gurnee, IL 60031
 Ph: 847-855-9150 Fax: 847-855-9650
 800-374-8266
 E-mail: drive.sales@drivecon.com
www.drivecon.com

(1) Housings





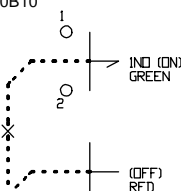
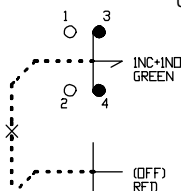

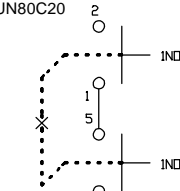
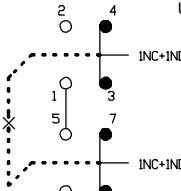
COB80 switches are custom designed to your specifications from the variety of housings and switches available. Selection couldn't be easier. Select: (1) Housing, (2) Switches, (3) Bushings (4) Legends, and (5) Accessories. Or choose from Drivecon's pre-designed standard assemblies.

Number of Buttons	Complete Type	Case Type
2 (1 pair)	COB 81	UN81, UN81D (x)*
4 (2 pair)	COB 82	UN82, UN82D, UN82L, UN82DL (x)*
6 (3 pair)	COB 83	UN 83, UN83D, UN83L, UN83DL (x)*
8 (4 pair)	COB 84	UN 84, UN84D, UN84L, UN84DL (x)*
10 (5 pair)	COB 85	UN 85, UN85D, UN85L, UN85DL (x)*
12 (6 pair)	COB 86	UN 86, UN86D, UN86L, UN86DL (x)*
16 (8 pair) duplex type	COB 88	2x (UN84, UN84D) (x)*
20 (10 pair) duplex type	COB 810	2x (UN85, UN85D) (x)*
24 (12 pair) duplex type	COB 812	2x (UN86, UN86D) (x)*


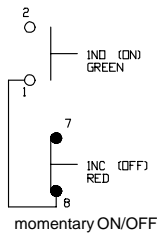
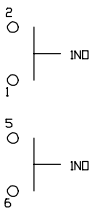
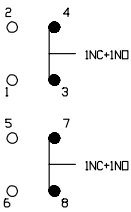

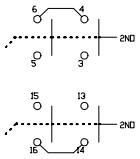
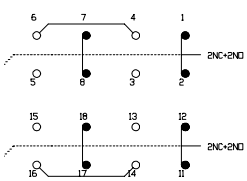

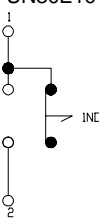
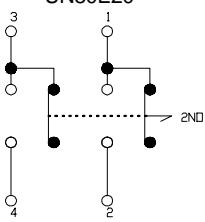
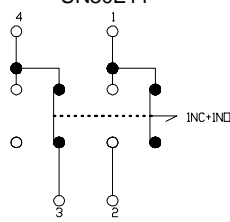

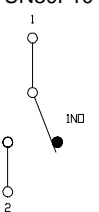
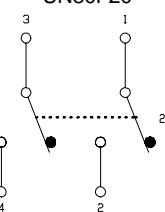
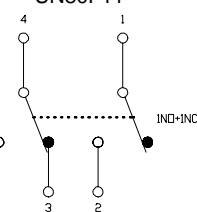

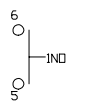
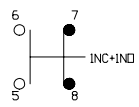
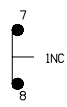
D = Deep housing L= Large inlet DL= Deep housing and large inlet Deep housings provide 1/2" extra wiring room. Large inlet is used with type C and D bushings. Add - X suffix for XYRON type enclosure.*

* Lexan polycarbonate will not stand-up to exposure to certain chemicals. Specify Xylon type enclosure when exposed to highly reactive chemicals. Note: Xylon enclosures not suited for outdoor use.


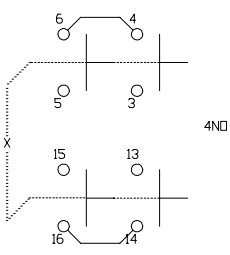
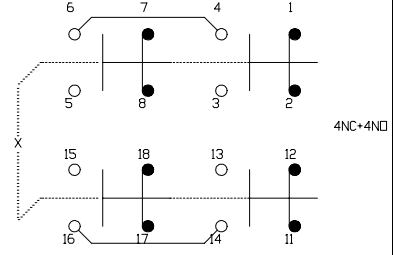



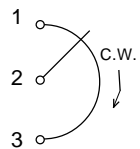

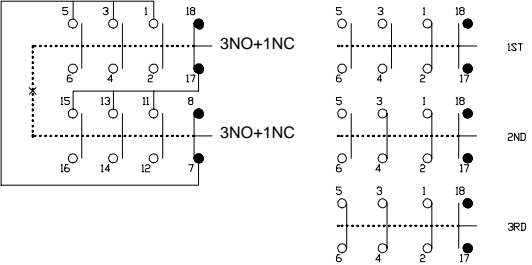
(2) Switches

Type	Appearance	Contact arrangement	Operation
UN80L		RESISTIVE LOAD 125V AC 6A 250V AC 3A	N.O. MOMENTARY SWITCH FOR HORN (19mm hole) For use in 6, 8, 10 and 12 button enclosures only.
UN80R-2 (V)		RED LAMP (V)=Voltage (D12)- 12VDC LED (D24)- 24VDC LED (110)- 110VAC neon (220)- 220VAC neon	PILOT LAMP SMALL (12mm hole) RED For use in 6,8,10 and 12 button enclosures only.
UN80R-9 (V)			PILOT LAMP LARGE (19mm hole) RED For use in 6, 8, 10 and 12 button enclosures only.
UN80B		<div style="display: flex; justify-content: space-around;"> <div style="text-align: center;"> <p>UN80B10</p>  </div> <div style="text-align: center;"> <p>UN80B11</p>  </div> </div>	MAINTAINED ON-OFF SUPPLIED WITH RED & GREEN BOOT.
UN80C		<div style="display: flex; justify-content: space-around;"> <div style="text-align: center;"> <p>UN80C20</p>  </div> <div style="text-align: center;"> <p>UN80C22</p>  </div> </div>	MOMENTARY SINGLE-SPEED WITH MECHANICAL INTERLOCKING

(2) Switches (continued)

Type	Appearance	Contact arrangement	Operation
UN80J		<p>UN80J11</p>  <p>UN80J20</p>  <p>UN80J22</p> 	MOMENTARY SINGLE SPEED OR MOMENTARY ON-OFF NON-INTERLOCKED SUPPLIED WITH RED & GREEN BOOT.
UN80D		<p>UN80D40</p>  <p>UN80D44</p>  <p>UN80D44B - Delayed opening of 7 & 8 contacts.</p>	MOMENTARY 2-SPEED WITH MECHANICAL INTERLOCKING
UN80E		<p>UN80E10</p>  <p>UN80E20</p>  <p>UN80E11</p> 	MAINTAINED ALTERNATING SWITCH PUSH CLOSE PUSH OPEN
UN80F		<p>UN80F10</p>  <p>UN80F20</p>  <p>UN80F11</p> 	MAINTAINED TOGGLE SWITCH
UN80I		<p>UN80I10</p>  <p>UN80I11</p>  <p>UN80I01</p> 	MOMENTARY SINGLE BUTTON

(2) Switches (continued)




Type	Appearance	Contact arrangement	Operation
UN80T		<p>UN80T40</p>  <p>UN80T44</p> 	MOMENTARY DUAL POLE MECHANICAL INTERLOCKING
UN80G-(V)(C)		<p>(V)= Voltage: (D12) 12VDC LED (D24) 24VDC LED (110) 110VAC neon (220) 220VAC neon</p> <p>(C)= color: (R) red (G) green (A) amber (W) white (S) blue (DC only)</p>	PUSHBUTTON HOLE PILOT LAMP
UN80H		NONE	BLIND RUBBER PLATE
UN80P		 <p>Available in 1, 5, 10K</p>	VARIABLE RESISTOR
UN80W		<p>UN80W62</p> 	MOMENTARY 3 SPEED WITH MECHANICAL INTERLOCKING

Consult Drivecon for switch configurations not shown.

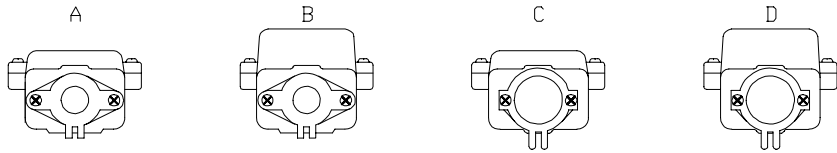
(2) Switches (continued)

The following new switches incorporate a new low profile design which allows installation into the slim 80 Series housing. An area of the bezel is also provided for legend notation. Recessed switch operators protect switch from damage when struck from front.

Various contact block configurations are available for each switch type.

Type	Appearance	Part number	Positions	Contacts	Sequence (X=closed, O=open)	Function
UN80K	 <p>Key is removeable in any position</p>	UN80K201	2	1 N.C. (b)	XO	2 POSITION KEYSWITCH
		UN80K210	2	1 N.O. (a)	OX	
		UN80K211	2	1 N.O. 1 N.C. (a,b)	OX XO	
		UN80K202	2	2 N.C. (2b)	XO XO	
		UN80K220	2	2 N.O. (2a)	OX OX	3 POSITION KEYSWITCH
		UN80K311	3	1 N.O. 1 N.C. (ab)	XOO XXO	
		UN80K302	3	2 N.C. (2b)	OXX XXO	
UN80K320	3	2 N.O. (2a)	XOO OOX			
UN80M		UN80M01	-	1 N.C. (b)	O	MUSHROOM SWITCH
		UN80M10	-	1 N.O. (a)	X	
		UN80M11	-	1 N.O. 1 N.C. (ab)	O X	
		UN80M02	-	2 N.C. (2b)	O O	
		UN80M20	-	2 N.O. (2a)	X X	
UN80S		UN80S201	2	1 N.C. (b)	XO	2 POSITION SELECTOR SWITCH
		UN80S210	2	1 N.O. (a)	OX	
		UN80S211	2	1 N.O. 1 N.C. (ab)	OX XO	
		UN80S202	2	2 N.C. (2b)	XO XO	
		UN80S220	2	2 N.O. (2a)	OX OX	3 POSITION SELECTOR SWITCH
		UN80S311	3	1 N.O. 1 N.C. (ab)	XOO XXO	
		UN80S302	3	2 N.C. (2b)	OXX XXO	
		UN80S320	3	2 N.O. (2a)	XOO OOX	

(3) Bushings

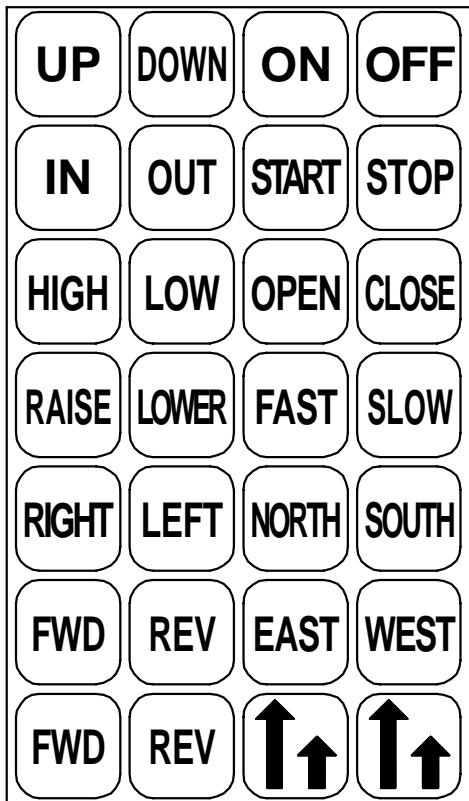


Applicable cable size		Cable bushing	Applicable housing
.29-.41 in.	7.5 - 10.5 mm	COB A1	COB81 - COB86 Diagram A or COB81D-COB86D Diagram B
.40-.53 in.	10.3 - 13.5 mm	COB A2	
.52-.65 in.	13.3 - 16.5 mm	COB B1	
.64-.77 in.	16.3 - 19.5 mm	COB B2	
.76-.88 in.	19.3 - 22.5 mm	COB C1	COB82L - COB86L Diagram C or COB82DL-COB86DL Diagram D
.87-1.0 in.	22.3 - 25.5 mm	COB C2	
.99-1.12 in.	25.3 - 28.5 mm	COB D1	
1.11-1.25 in.	28.3 - 29.5 mm	COB D2	

Correctly sized bushings are necessary to seal pendant from moisture entry. Verify pendant cable O.D. before selecting bushing and housing.

(4) Legends

a) Buttons. Part # COB80LS

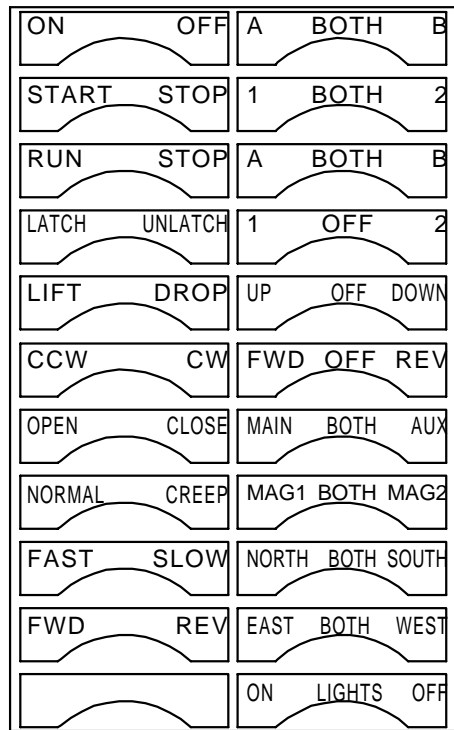


b) Mushroom Switch. Part # COB80ML



Part # COB80ML

c) Selector Switch. Part # COB80SL



All legends are black or red on matte silver background.

d) Vertical. Part #COB80VL
For case marking.

Consult Drivecon for vertical legends not shown

S T O P	O N · O F F	A · A B · B	A · B	A · B O T H · B	H O I S T	B R I D G E	T R O L L E Y	M A G N E T	C R A N E	D O O R	L I G H T
M H O I S T	A H O I S T	M · B O T H · A	#1 · B O T H · #2	G R A B	R O T A T E	V A C U U M	L I F T E R	B E A M	H O R N	W A R N I N G	

(5) Accessories

a) Round pendant cable (All 16 AWG)

Part #	Conductors	Dia. (in.)
COB PC-8	8	0.465
COB PC-8(S)	8	0.625
COB PC-12	12	0.550
COB PC-12(S)	12	0.675
COB PC-16	16	0.605
COB PC-16(S)	16	0.775
COB PC-24	24	0.745
COB PC-24(S)	24	0.900
COB PC-30	30	0.785
COB PC-36	36	0.885

Note all part numbers with suffix (S) have built in strain relief cable.

b) Round SO rubber cable (All 16 AWG)

Part #	Conductors	Dia. (in.)
COB RC-3	3	0.375
COB RC-4	4	0.485
COB RC-6	6	0.540
COB RC-8	8	0.580
COB RC-10	10	0.700
COB RC-12	12	0.745
COB RC-16	16	0.810
COB RC-24	24	1.00

c) Pendant station heater

Part #	Description
COBPW20	120V, 20W heater kit with thermostat.

Consult Drivecon for quick disconnects, junction boxes, cable reels or support reels. Drivecon can also pre-wire your pendant station to your exact requirements. Please inquire when ordering.

Drivecon offers over 30 pre-designed pendant switch assemblies which include housing, bushing, switch inserts, jumpers, legends, S-hook, and complete assembly including detail drawing.

d) Installation hardware

Part #	Description
COB SH	'S' hook strain relief anchor
COB SC	1/8" dia. nylon coated steel cable 300lb. capacity.
COB CG-0.5	1/2" NPT cable strain relief.
COB CG-0.7	3/4" NPT cable strain relief.
COB CG-1.0	1" NPT cable strain relief.
COB CG-1.5	1.5" NPT cable strain relief.
COB CG-2.0	2.0" NPT cable strain relief.
COB CH	Steel anchor cable kit. (2 ferrules, eyebolt, hardware)
COBSR	Internal strain relief saddle.

e) Jumpers

Part #	Switch	Part #	Switch
J80-01	UN80C	J80-10	UN80C,J
J80-02	UN80C	J80-12	UN80D
J80-03	UN80D	J80-13	UN80C
J80-04	UN80D	J80-14	UN80C, D
J80-06	UN80D	J80-15	UN80C, D
J80-07	UN80D	J80-16	UN80W
J80-09	UN80D		

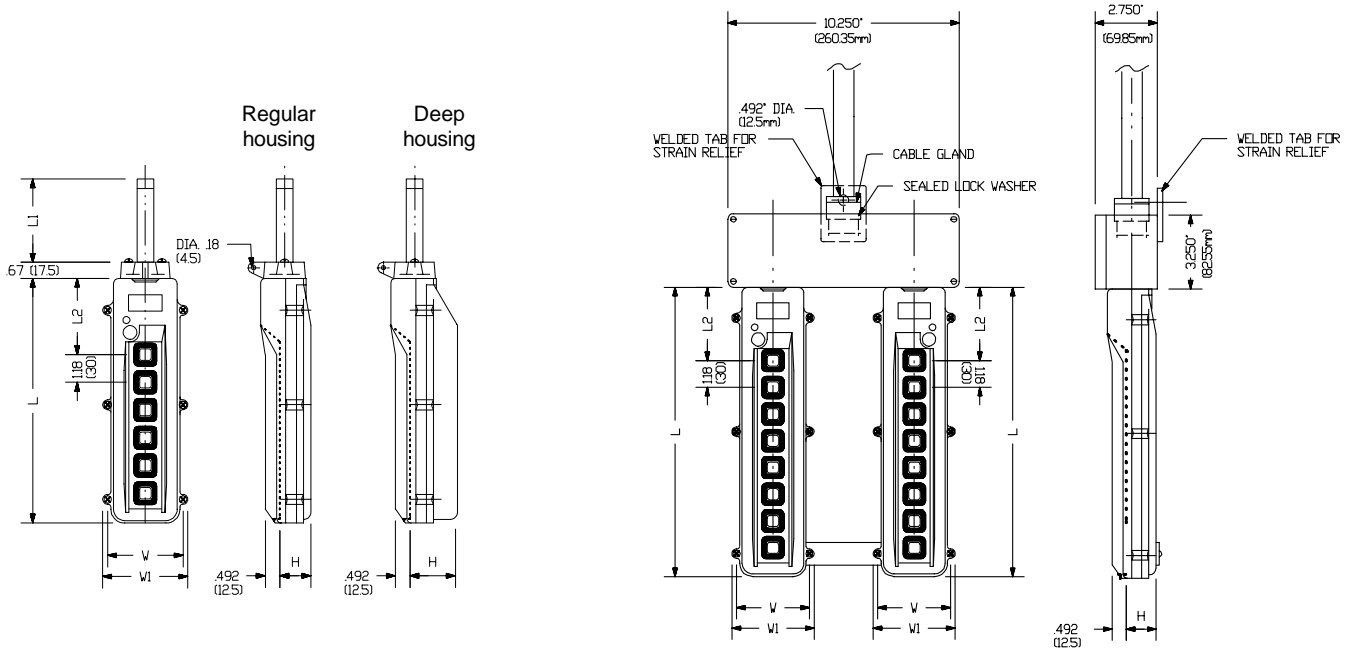
Contact block characteristics

Switch	UN80B UN80C UN80D UN80J UN80I UN80T		UN80E UN80F UN80L
	Rated thermal current (lth)	5A	.2A
Rated insulation voltage	500VAC	250VDC	250VAC
Insulation resistance	500VDC over 100M ohm		
Withstand voltage	Over 1500VAC for 1 min.		
Standard: UL 508	B 300	240VAC, 1.5A	-
	Resistive load	-	125VAC, 6A 250VAC, 3A

Switch	UN80M UN80S UN80K			
Rated Insulation voltage	AC / DC 600V			
AC	Rated Voltage	AC110V	AC230V	AC460V
	Inductance Load	4A	2A	1A
	Resistance Load	10A	6A	3A
DC	Rated Voltage	DC24V	DC110V	DC250V
	Inductance Load	2A	0.5A	0.3A
	Resistance Load	5A	1A	0.5A

Dimensions

All dimensions in inches (mm).



Complete Type	L	L1	L2	W	W1	H
COB 81	4.50 in. (114)	3.50 in. (90)	2.20 in. (56.5)	2.55 in. (65)	3.07 in. (78)	1.45 in. (37)
COB 81D						2.00 in. (51.5)
COB 82 (L)	7.10 in. (180)		2.50 in. (62.5)	2.72 in. (69)	3.23 in. (82)	1.45 in. (37)
COB 82D (DL)						2.00 in. (51.5)
COB 83 (L)	10.30 in. (180)		3.25 in. (82.5)	2.90 in. (74)	3.42 in. (87)	1.45 in. (37)
COB 83D (DL)						2.00 in. (51.5)
COB 84 (L)	12.68 in. (322)		3.44 in. (87.5)	2.72 in. (69)	3.23 in. (82)	1.48 in. (37.5)
COB 84D (DL)						2.00 in. (51.5)
COB 85 (L)	15.25 in. (387)		3.44 in. (87.5)	2.90 in. (74)	3.42 in. (87)	1.48 in. (37.5)
COB 85D (DL)						2.00 in. (51.5)
COB 86 (L)	17.60 in. (447)		3.44 in. (87.5)	2.90 in. (74)	3.42 in. (87)	1.48 in. (37.5)
COB 86D (DL)						2.00 in. (51.5)
Duplex configuration	L	L1	L2	W	W1	H
COB 88	12.68 in. (322)	Not applicable	3.25 in. (82.5)	2.72 in. (69)	3.23 in. (82)	1.48 in. (37.5)
COB 88D						2.00 in. (51.5)
COB 810	15.25 in. (387)		3.44 in. (87.5)	2.90 in. (74)	3.42 in. (87)	1.48 in. (37.5)
COB 810D						2.00 in. (51.5)
COB 812	17.60 in. (447)		3.44 in. (87.5)	2.90 in. (74)	3.42 in. (87)	1.48 in. (37.5)
COB 812D						2.00 in. (51.5)

820 Lakeside Drive - Gurnee, IL 60031
 Ph: 847-855-9150 Fax: 847-855-9650
 800-374-8266
 E-mail: drive.sales@drivecon.com
 www.drivecon.com

